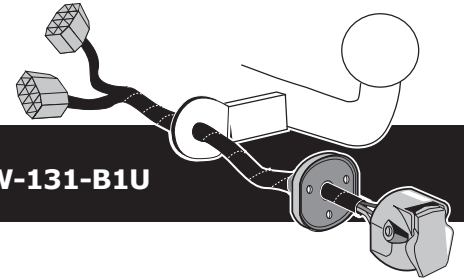


Audi A3 3D 2013 - 04/2014
Audi A3 Sportback 2013 - 04/2014
Audi A3 Limo 2014 - 04/2014



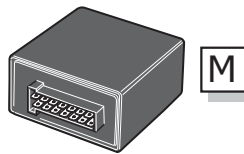
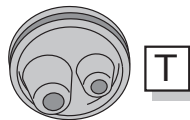
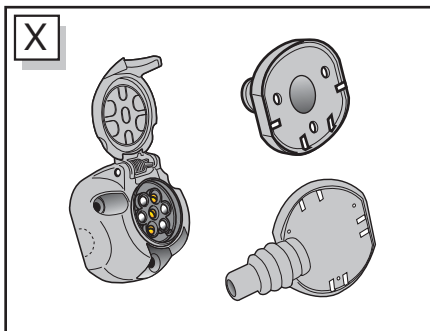
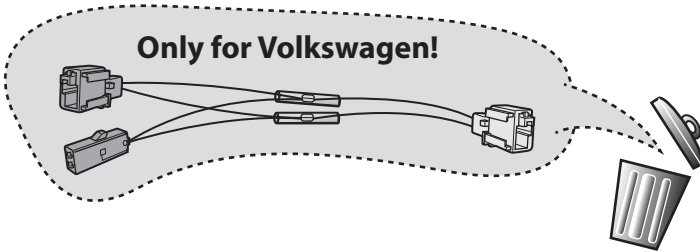
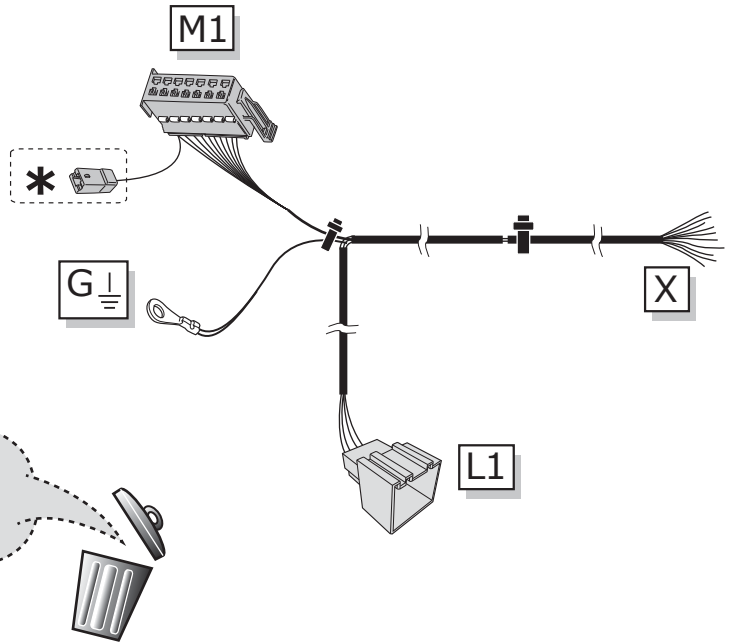
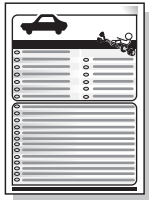
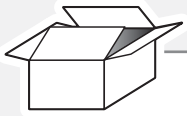
Only for models with towbar preparation

Partnr.: VW-131-B1U

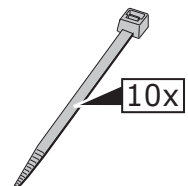
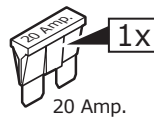
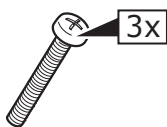
- Fitting instructions electric wiring kit tow bar with 12-N socket up to DIN/ISO Norm 1724.
- We would expressly point out that assembly not carried out properly by a competent installer will result in cancellation of any right to damage compensation, in particular those arising by virtue of the product liability act.
- Contents of these kits and their fitting manuals are subject to alteration without notice, please ensure that these instructions are read and fully understood before commencing installation.
- Do not overload circuits; the maximum loads per connection are detailed in this manual.
- Attention! Before Installation, please read this manual carefully and inform your customer to consult the vehicle owners manual to check for any vehicle modifications required before towing.
- In the event of functional problems, troubleshooting must be limited to about 0.5 hours, contact the technical support:
ukts@ecs-electronics.com / 07440 202 052.

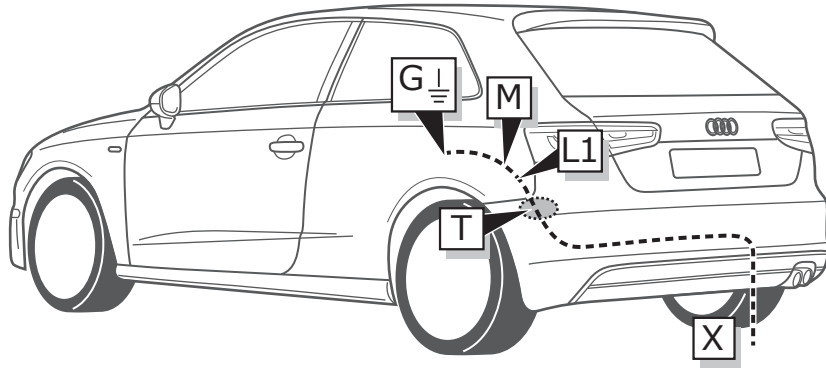


Part list



* Reverse signal preparation
 → **Page 12**

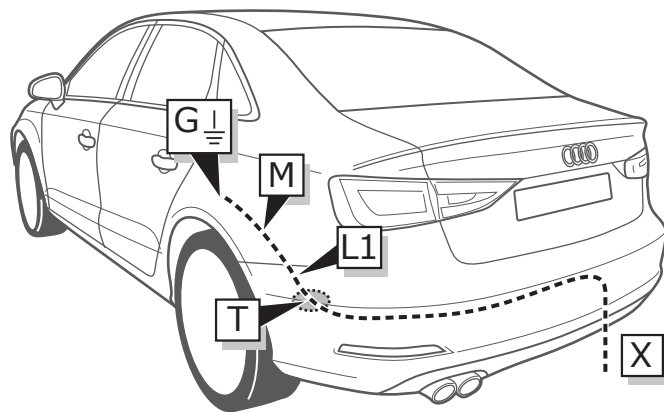




Audi A3 3D Audi A3 Sportback



Page 3	➔	2	-	8
Page 8	➔	15	-	24

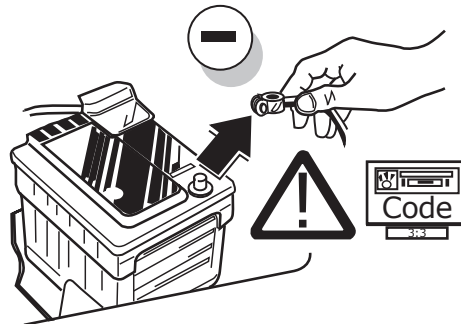


Audi A3 Limo

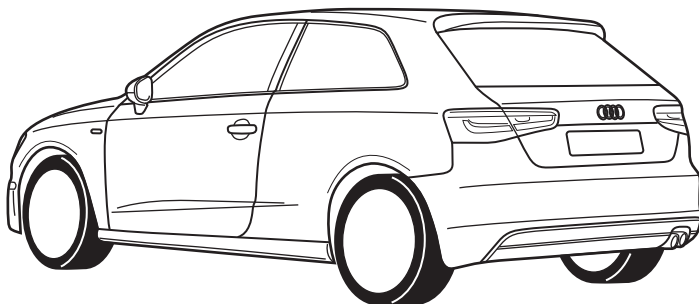


Page 6	➔	9	-	24
--------	---	---	---	----

1



2

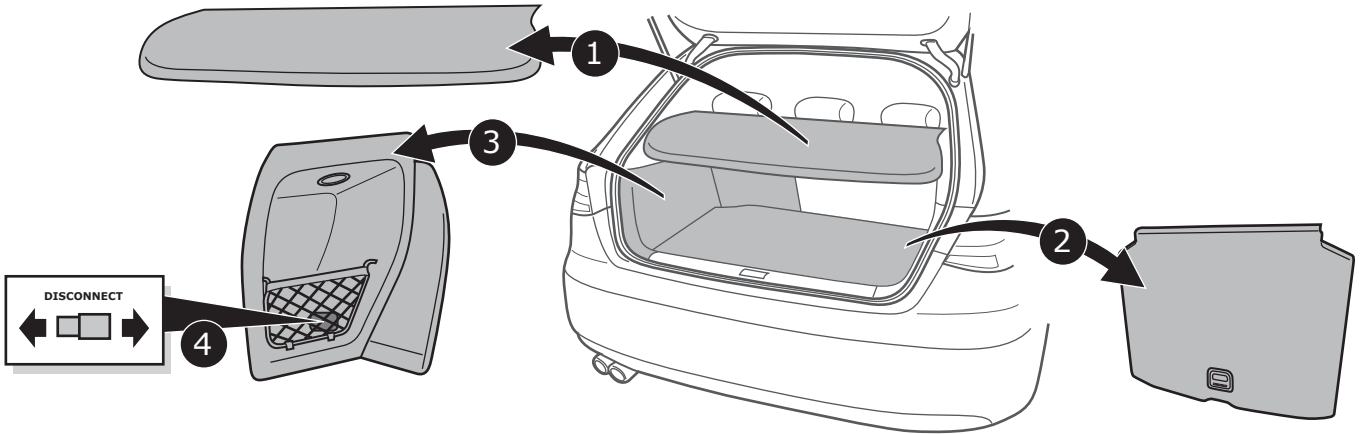


Audi A3 3D Audi A3 Sportback

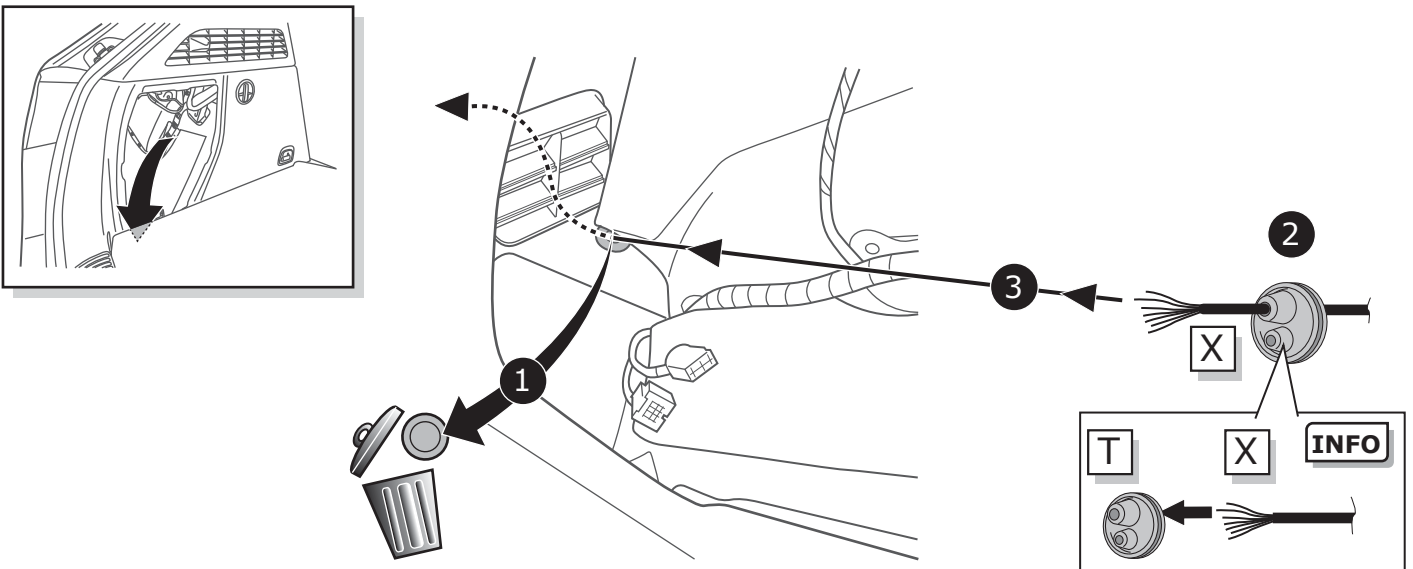


Page 3	➔	2	-	8
Page 8	➔	15	-	24

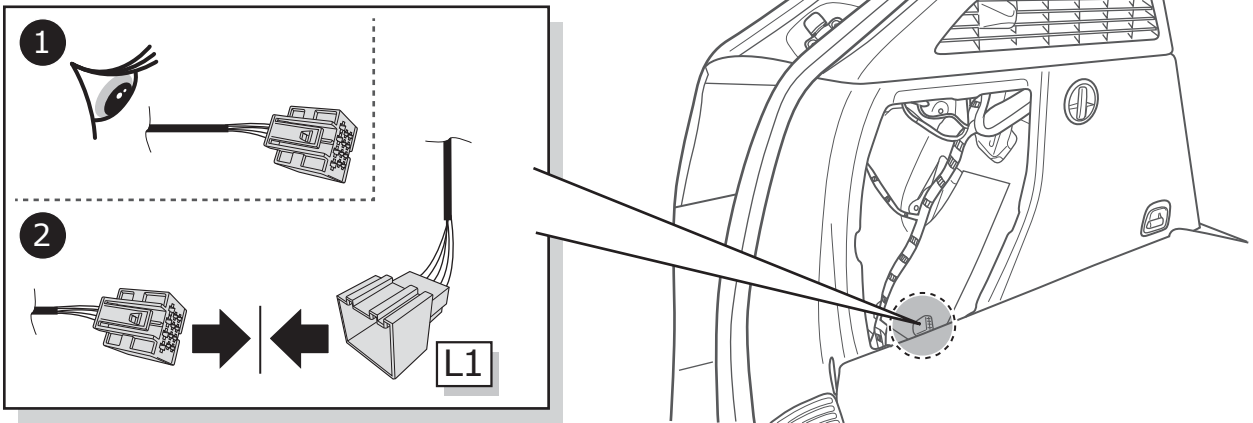
3

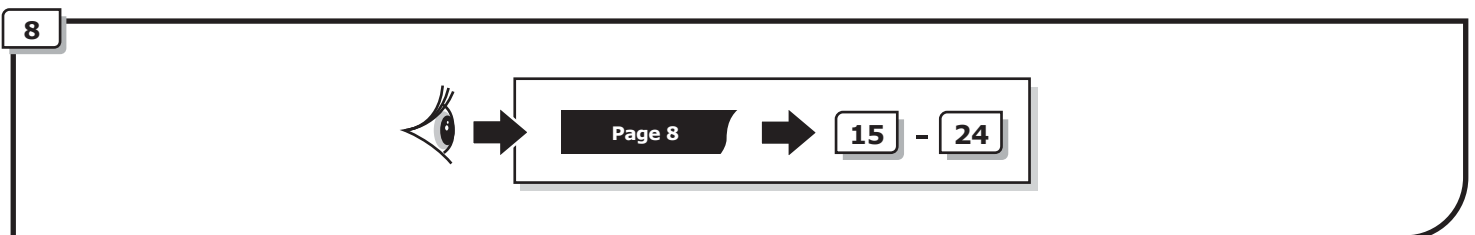
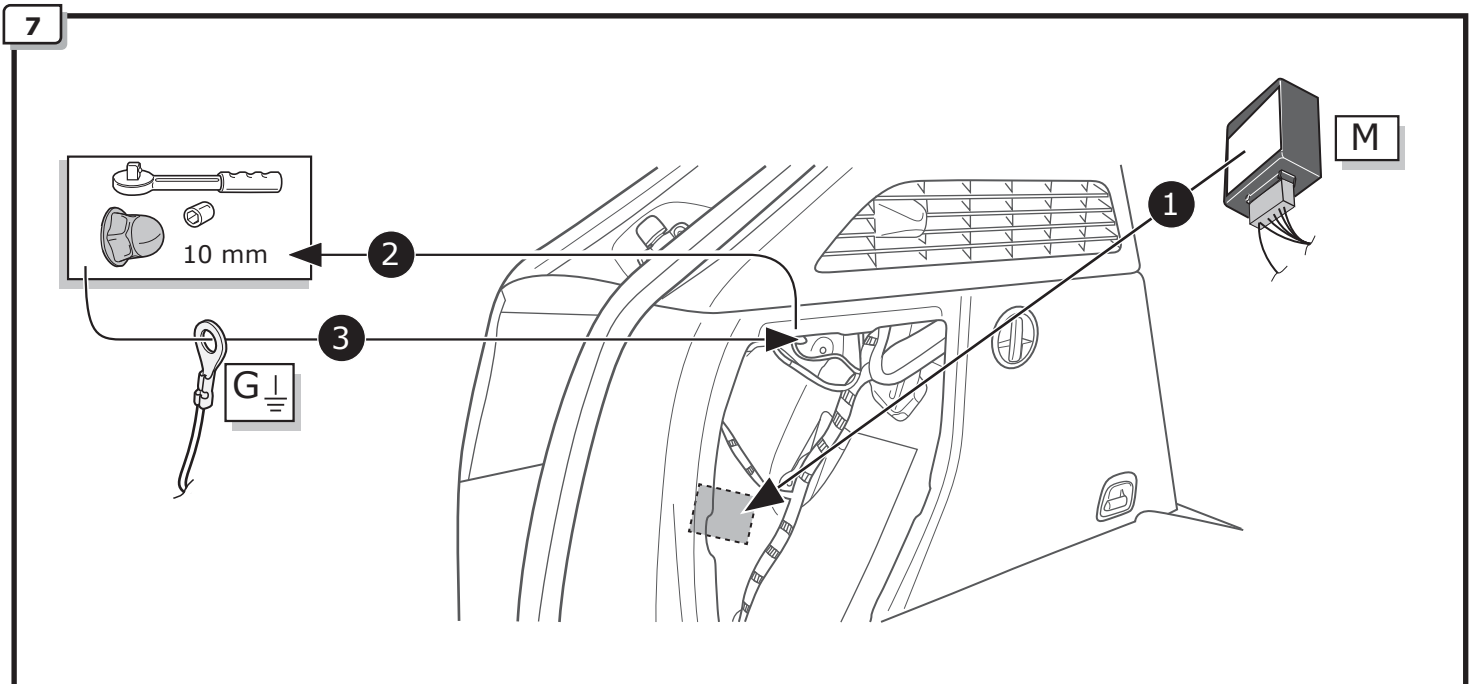
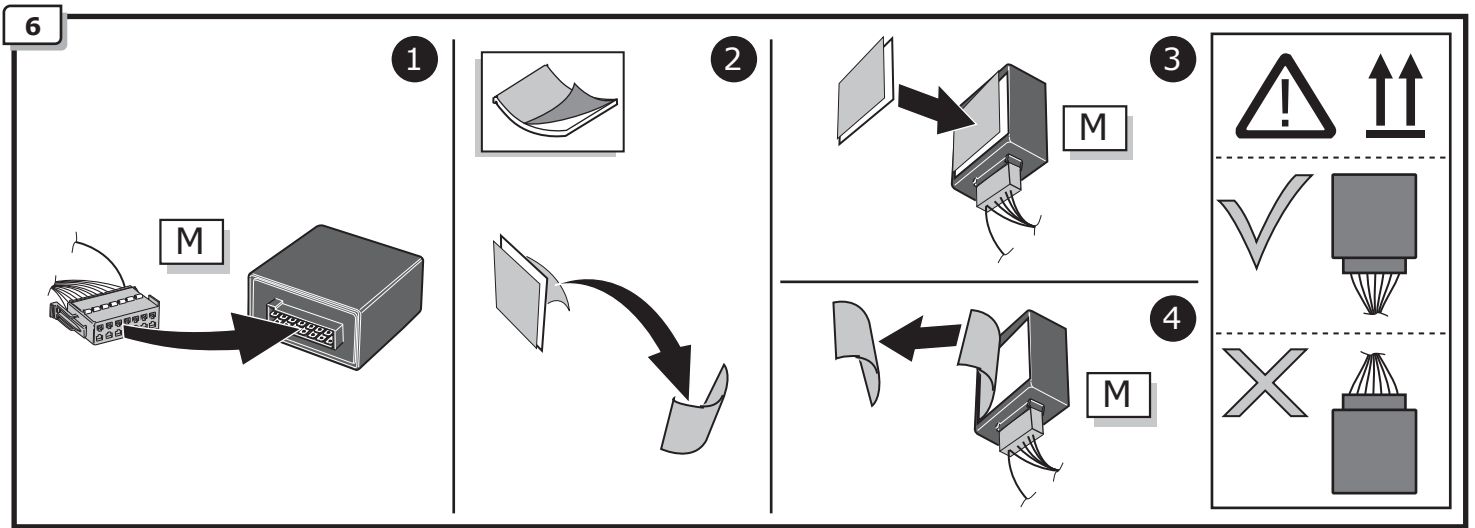


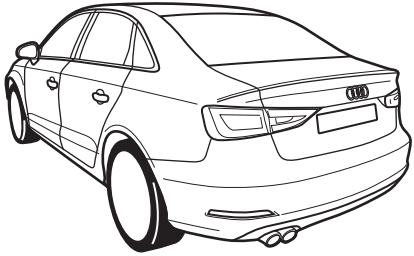
4



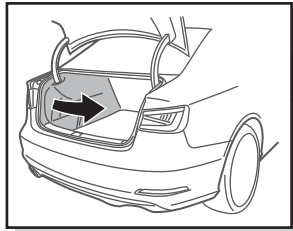
5



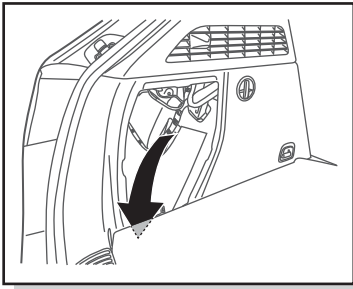
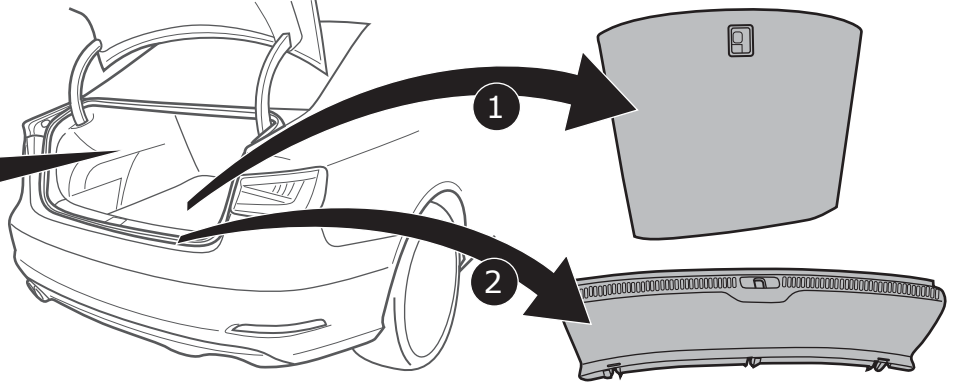




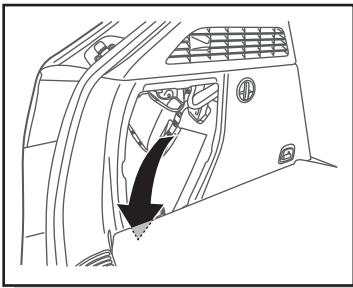
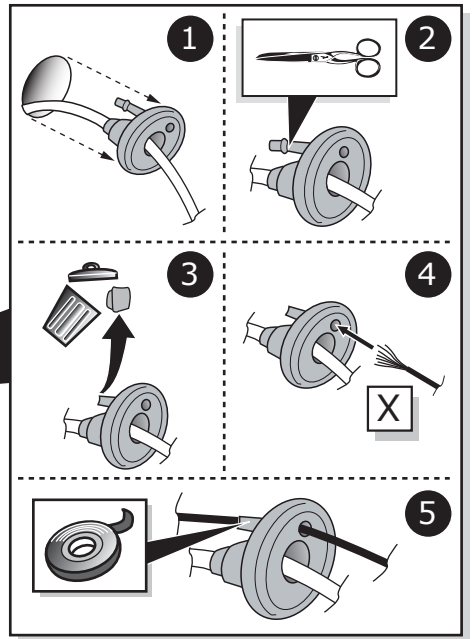
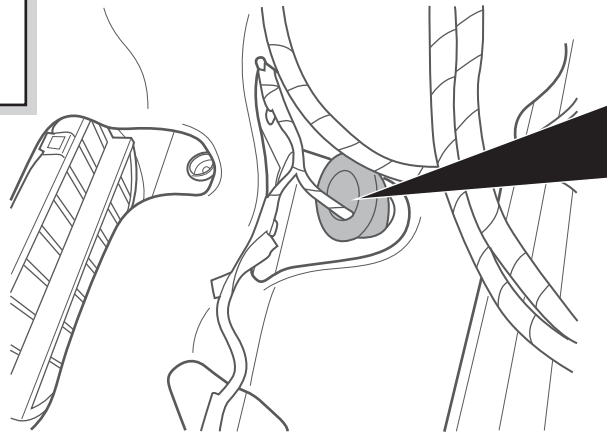
Audi A3 Limo



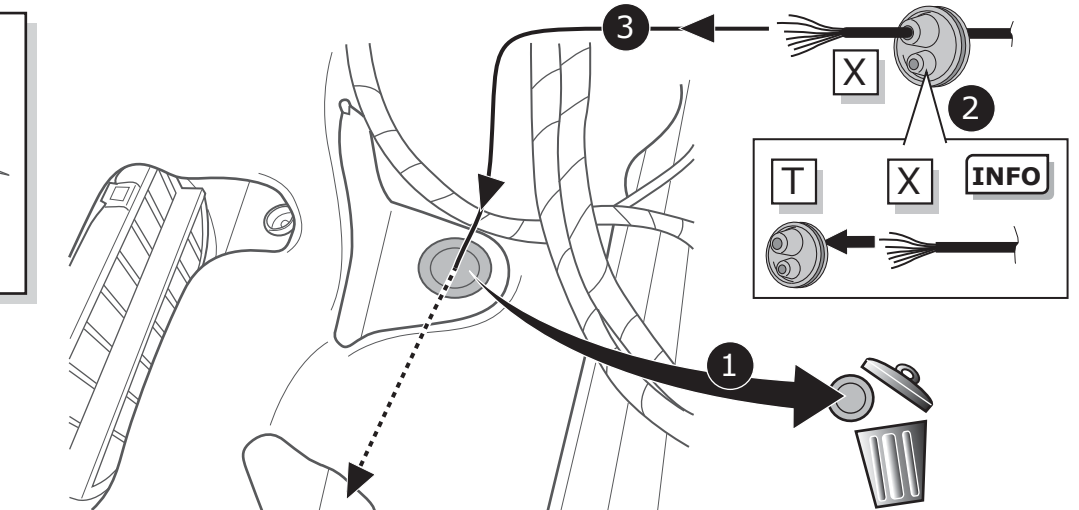
3



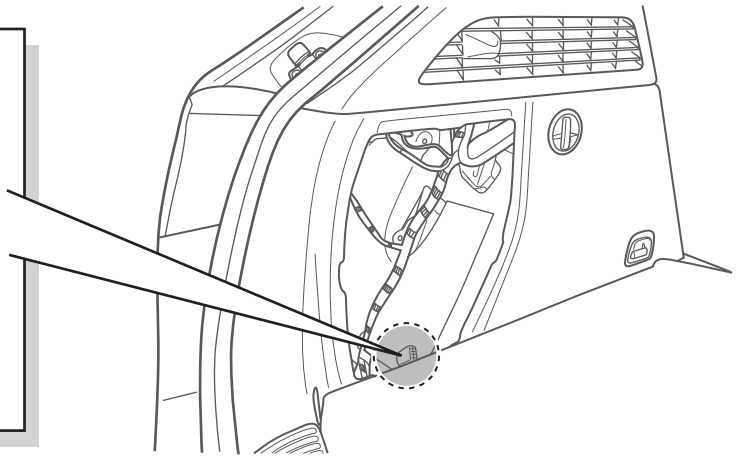
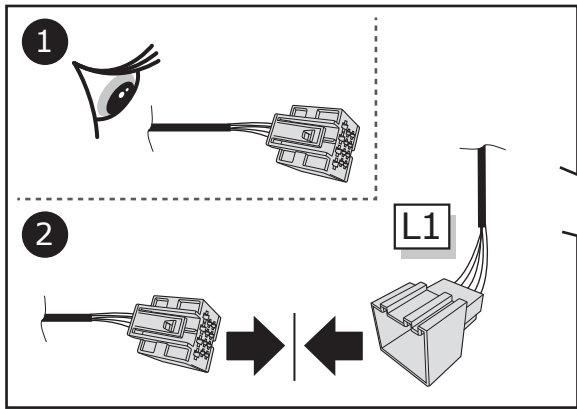
Option 1



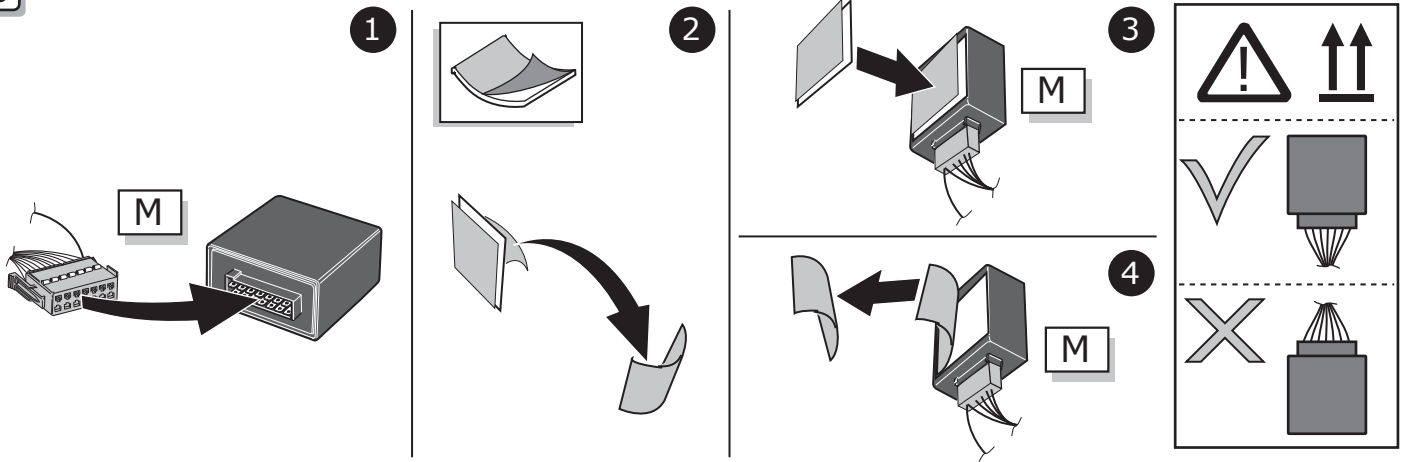
Option 2



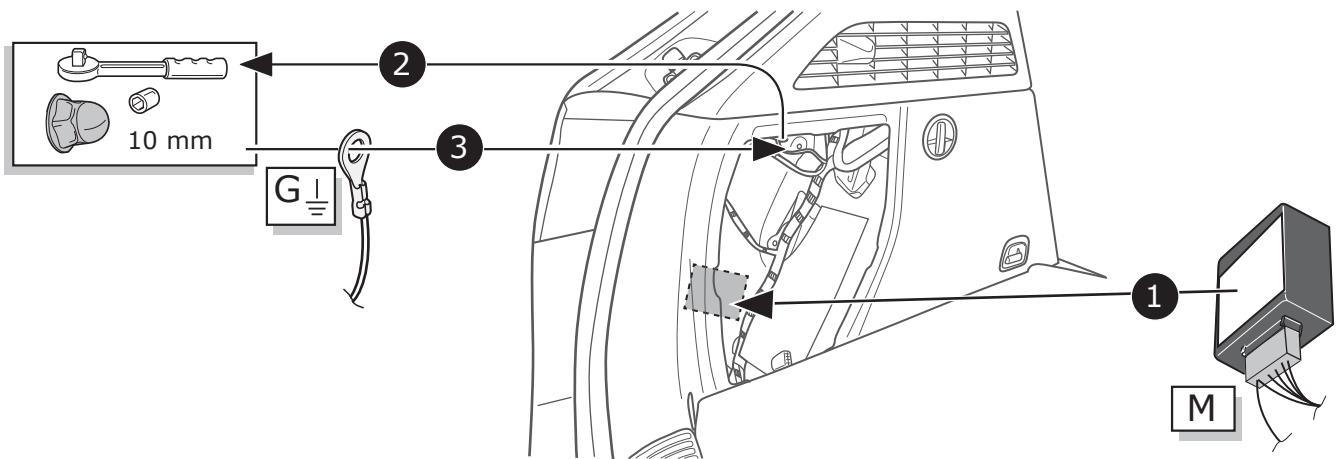
12



13

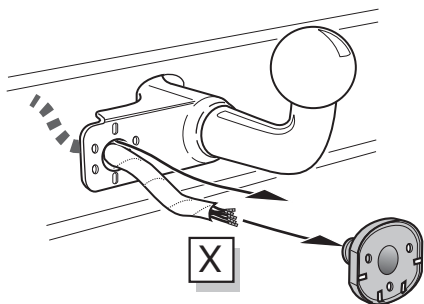


14

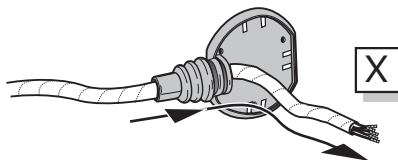


15

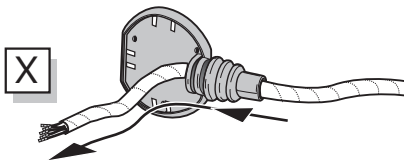
Option 1



Option 2



Option 3



INFO

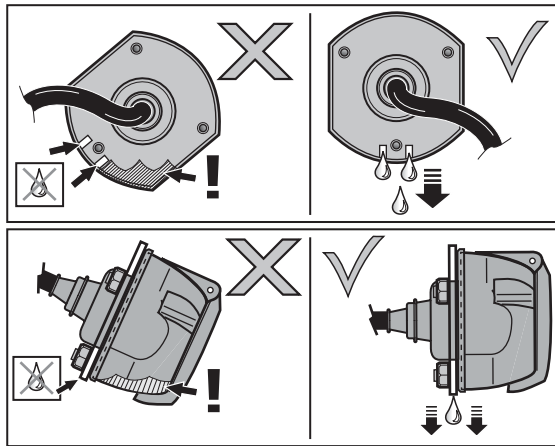
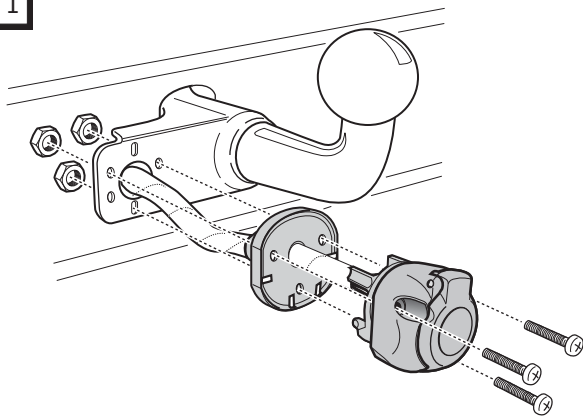
SOCKET CONNECTION



Page 11

A

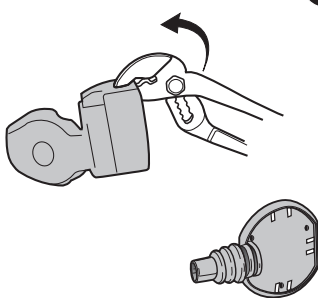
Option 1



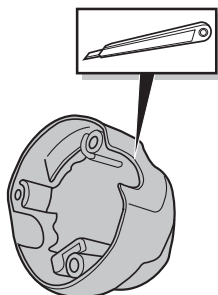
B

Option 2

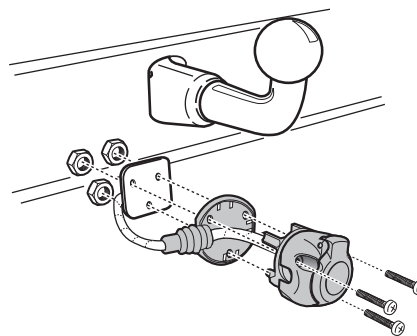
1



2



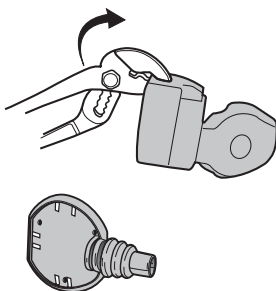
3



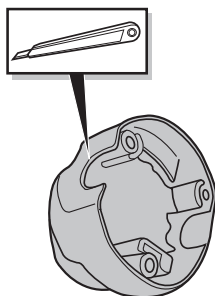
C

Option 3

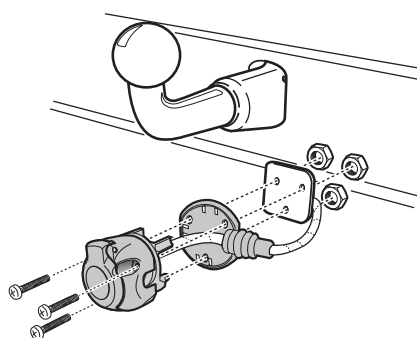
1



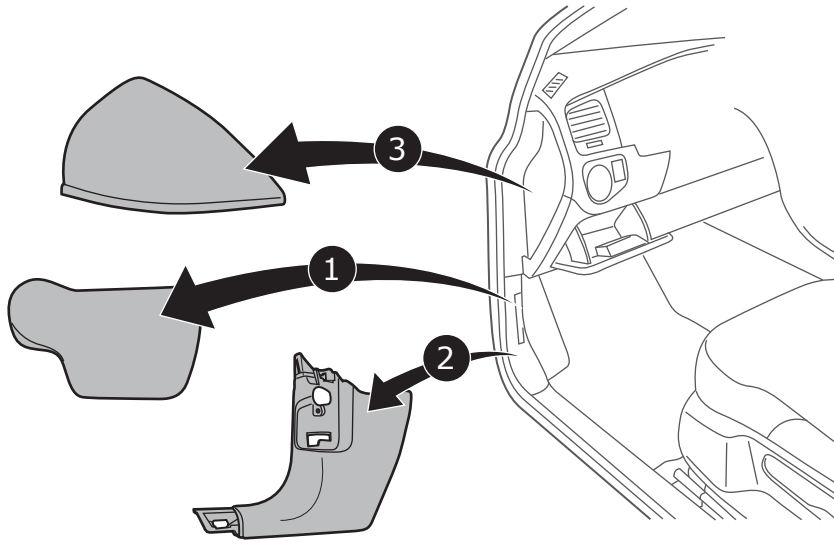
2



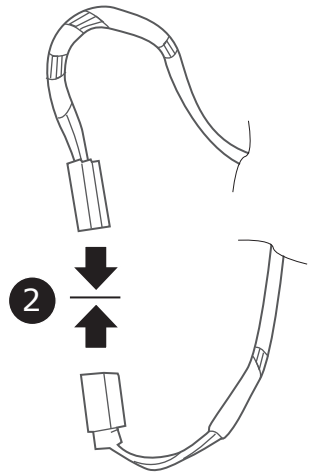
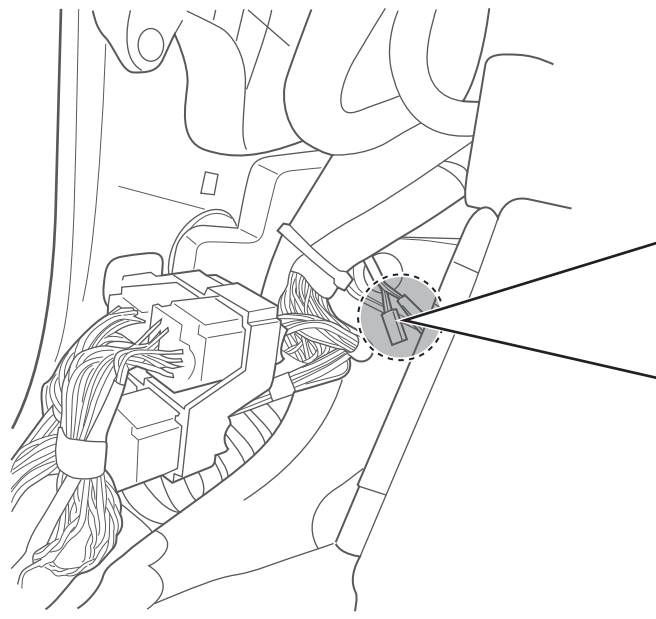
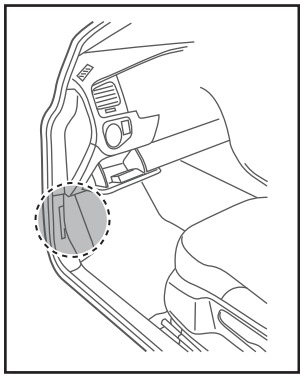
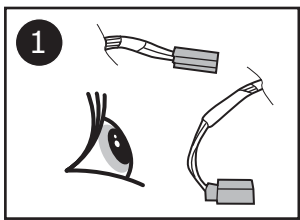
3



16

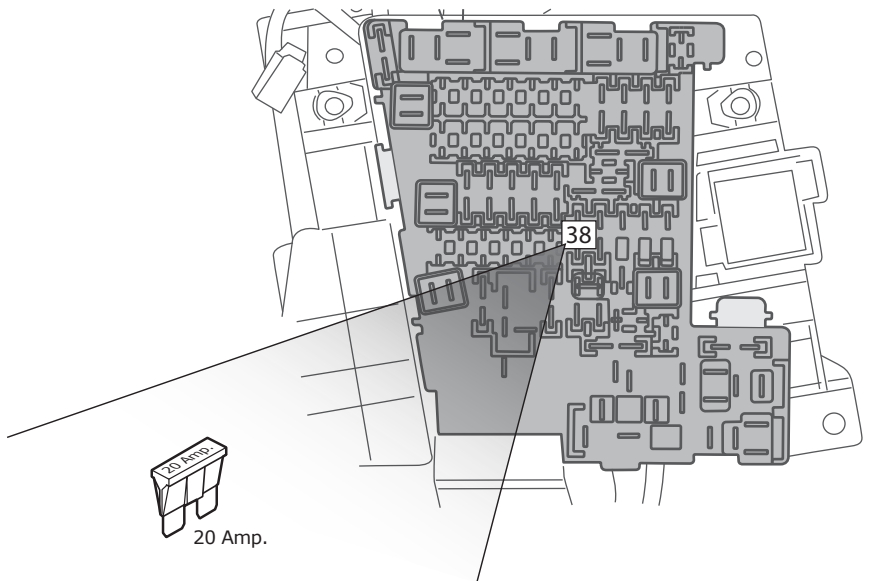
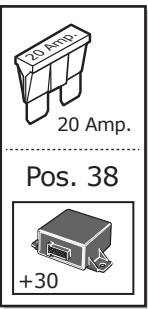
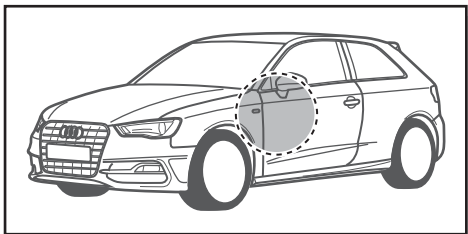


17



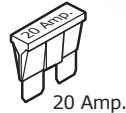
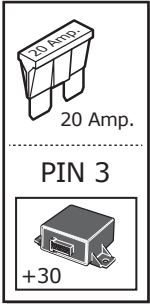
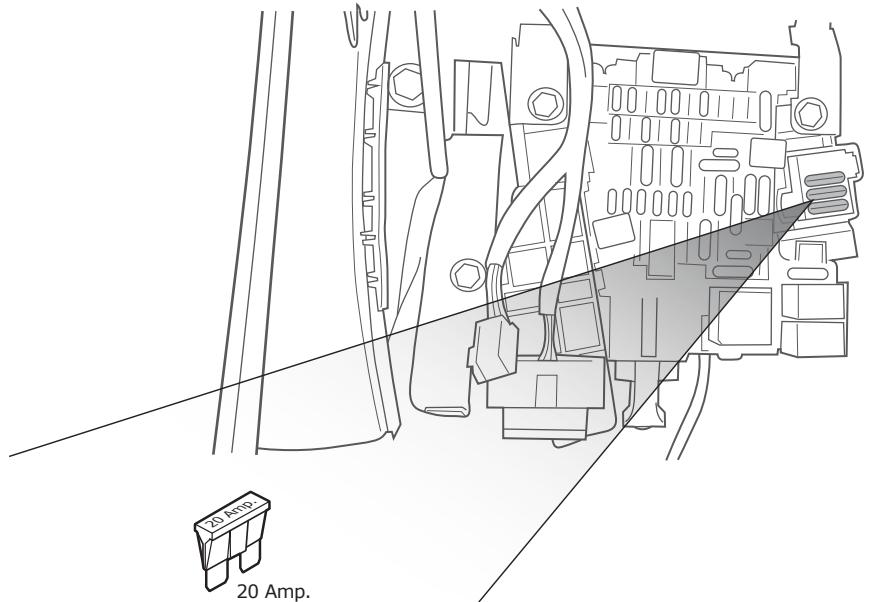
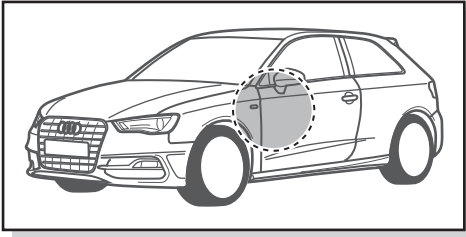
18

A3 3D -2014

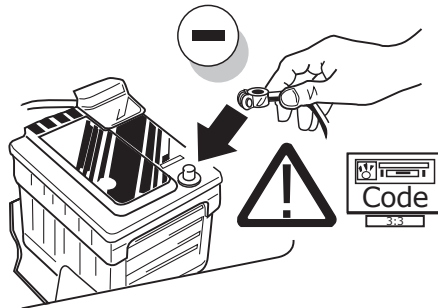


19

A3 3D 2014-



20



21

ONLINE CODING



22

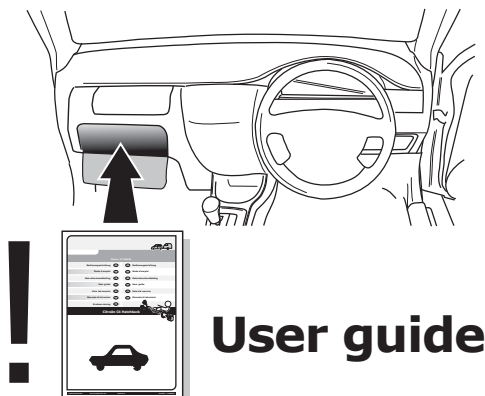


WARNING! IT MUST BE ENSURED THAT ALL THE REQUIREMENTS OF THE VEHICLE MANUFACTURER FOR CHANGES TO AND RETRO-FITTING ON THE VEHICLE AND/OR COOLING SYSTEM FOR THE OPERATION WITH A TRAILER ARE CARRIED OUT. SUBJECT TO CHANGE.

! TEST ALL THE CIRCUITS WITH A TEST DEVICE WITH THE CORRECT POWER LOAD FOR EACH FUNCTION. A TEST DEVICE WITH LED'S CANNOT BE USED FOR THIS PURPOSE.

INFO

REINSTALL TRIM.



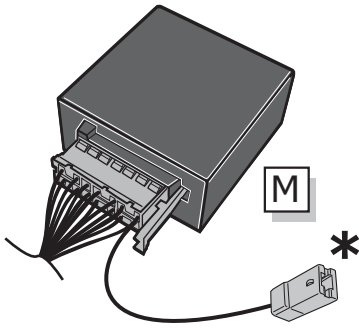
INFO

SOCKET CONNECTION

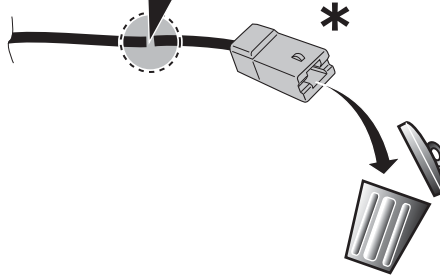
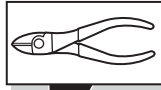
DIN/ISO 1724							
	1/L	2	3/31	4/R	5/58-R	6/54	7/58-L
Pmax	21W	21W		21W	42W	3x21W	42W
Colour	Black/White	Blue	Brown	Black/Green	Grey/Red	Black/Red	Grey/Black

Reverse signal preparation

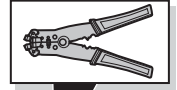
A



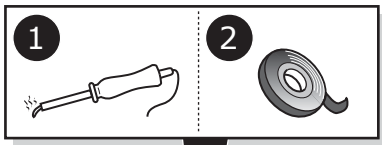
1



2



B



⚠ MAX = 21W